

A modern building with large glass windows and balconies. The ground floor windows are covered with large, light-colored external roller blinds. The building has a dark frame and a balcony with glass railings and potted plants. The sky is clear and blue.

# EXTERNAL ROLLER BLINDS

OFFICES & SHOWROOMS | 0861-1-TAYLOR (829567)

CPT: 10 Hoist Avenue, Montague Gardens | +27 (0) 21 552-5080 | [sales@taylorblinds.co.za](mailto:sales@taylorblinds.co.za)

JHB: Unit 9, Moon River, 6 River Close, | +27 (0) 11 794-1743 | [salesjhb@taylorblinds.co.za](mailto:salesjhb@taylorblinds.co.za)

Barbeque Downs, Kyalami Johannesburg

[taylorblinds.co.za](http://taylorblinds.co.za)

**TAYLOR**  
BLINDS & SHUTTERS Est.1959



VISIBILITY



PRIVACY



DARKENING



INCLEMENT  
WEATHER



GLARE  
REDUCTION



HEAT  
REDUCTION



UV  
FILTERING



ENERGY  
SAVING

# LOCKSCREEN



Special side guide channels locks the fabric in place, to perform well in wind and eliminate any gap between fabric and guide where light and wind would otherwise enter. Suitable for external sun protection for windows and sliding doors or inward stacking doors as well as patio screens for protection from sun, wind and rain. Together with a block out fabric they are effective at providing darkness and complete privacy. Offered in manual or motorised solutions

# LOCKSCREEN 105

## SPECIFICATIONS

Box size:	105mm
Guide size:	45x34mm (Wide x Deep)
End bar:	55x28mm (High x Deep)
Shaft:	78mm

## PRODUCT SIZE LIMITATIONS

Width:	4000mm (up to 3000mm high)
Height:	3500mm (up to 3000mm wide)
SQM:	12m <sup>2</sup>

## ADDITIONAL COMPONENTS

Bottom Bar Angle  
Side Angles  
Top Angle

## SOMFY MOTORS

Refer to Pricelist

## OPERATION OPTIONS: MANUAL OR MOTORISED

Awning Gear: 6:1

# LOCKSCREEN 125

## SPECIFICATIONS

Box size:	125mm
Guide size:	45x34mm (Wide x Deep)
End bar:	55x25mm (High x Deep)
Shaft:	85mm

## PRODUCT SIZE LIMITATIONS

Width:	5000mm (up to 3000mm high)
Height:	5000mm (up to 3000mm wide)
SQM:	15m <sup>2</sup>

## ADDITIONAL COMPONENTS

Bottom Bar Angle  
Side Angles  
Top Angle

## SOMFY MOTORS

Refer to Pricelist

## OPERATION OPTIONS: MOTORISED

Awning Gear: Not available

# LOCKSCREEN 125XL

## SPECIFICATIONS

Box size:	125mm
Guide size:	45x34mm (Wide x Deep)
End bar:	55x25mm (High x Deep)
Shaft:	100x78mm Aluminium

## PRODUCT SIZE LIMITATIONS

Width:	6000mm
Height:	3000mm
SQM:	18m <sup>2</sup>

## ADDITIONAL COMPONENTS

Bottom Bar Angle  
Side Angles  
Top Angle

## SOMFY MOTORS

Refer to Pricelist

## OPERATION OPTIONS: MOTORISED

Awning Gear: Not available

# LOCKSCREEN 150XL\*\*

**PLEASE NOTE** this is a special import to achieve bigger sizes than what is possible with standard models. Box size 150mm.







VISIBILITY



PRIVACY



INCLEMENT  
WEATHER



ENERGY  
SAVING



GLARE  
REDUCTION



HEAT  
REDUCTION



UV  
FILTERING

## BRACKET SCREEN



Our Roller Blinds are here for your outdoor needs too! We are able to provide you with bracket solution External Roller Blinds, with or without the cassette. The open brackets are for sheltered locations only. An optional pelmet can be added for moderate protection from weather and concealment from view, but for maximum protection a full Cassette Screen should be considered. Manual bungy cord tie-downs are included to prevent the fabric from swaying in mild wind. Optional side channel or cable guides provide additional protection from wind.

# BRACKET SCREEN S

## SPECIFICATIONS

<b>Bracket size:</b>	60x80x100mm Bracket
<b>Guide (optional):</b>	Standard Aluminium 30x30 (Wide x Deep) or 3mm Stainless Steel Cable
<b>End bar:</b>	40x20mm Aluminium
<b>Shaft:</b>	63mm Galvanised Steel

## PRODUCT SIZE LIMITATIONS

<b>Width:</b>	4000mm (Up to 3000mm High)
<b>Height:</b>	4000mm (Up to 3000mm Wide)
<b>SQM:</b>	12m <sup>2</sup>

## ADDITIONAL COMPONENTS

Channel Guide: 30x30mm Aluminium  
 Cable Guide  
 Pelmet: 120x40x3mm Aluminium Angle  
 105mm Cassette  
 125mm Cassette

## SOMFY MOTORS

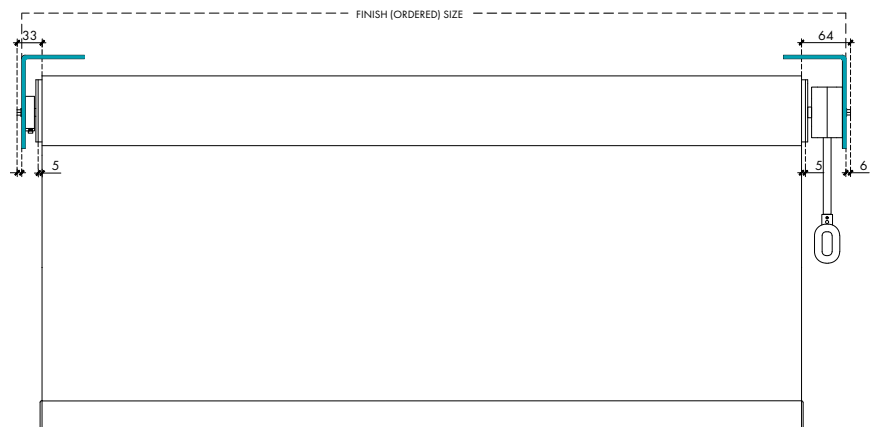
Refer to Pricelist

## OPERATION OPTIONS: MANUAL OR MOTORISED

**Awning Gear:** 4:1

## BRACKET SCREEN S TECHNICAL DRAWING

Heads of adjustable bolts stick past brackets 6mm each side. Suggested finish width as tight size less 15mm for reveal fix. Finished height from floor to top of brackets. Manual & Motorised options - refer to pricelist.



# BRACKET SCREEN L

## SPECIFICATIONS

<b>Bracket size:</b>	60x80x100 or 80x100x120 (Over 3400 High)
<b>Guide (optional):</b>	Standard Aluminium 30x30 (Wide x Deep) or 3mm Stainless Steel Cable
<b>End bar:</b>	40x20mm
<b>Shaft:</b>	85mm galvanised steel

## PRODUCT SIZE LIMITATIONS

<b>Width:</b>	5350mm
<b>Height:</b>	5000mm
<b>SQM:</b>	18.75m <sup>2</sup>

## ADDITIONAL COMPONENTS

Channel Guide: 30x30mm Aluminium  
 Cable Guide  
 Pelmet: 120x40x3mm Aluminium Angle  
 105mm Cassette  
 125mm Cassette

## SOMFY MOTORS

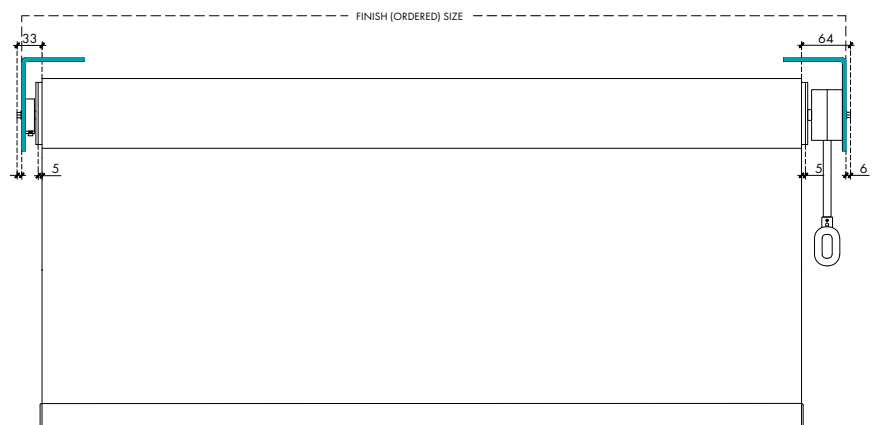
Refer to Pricelist

## OPERATION OPTIONS: MANUAL OR MOTORISED

**Awning Gear:** 9:1

## BRACKET SCREEN L TECHNICAL DRAWING

Heads of adjustable bolts stick past brackets 6mm each side. Suggested finish width as tight size less 15mm for reveal fix. Finished height from floor to top of brackets. Manual & Motorised options - refer to pricelist.



# BRACKET SCREEN XL

## SPECIFICATIONS

Bracket size:	100mm bracket
Guide (optional):	Standard Aluminium 30x30 (Wide x Deep) or 3mm Stainless Steel Cable
End bar:	40x20mm extruded aluminium
Shaft:	100x78mm extruded aluminium

## BRACKET SCREEN XL TECHNICAL DRAWING

Heads of adjustable bolts stick past brackets 6mm each side. Suggested finish width as tight size less 15mm for reveal fix. Finished height from floor to top of brackets.

## PRODUCT SIZE LIMITATIONS

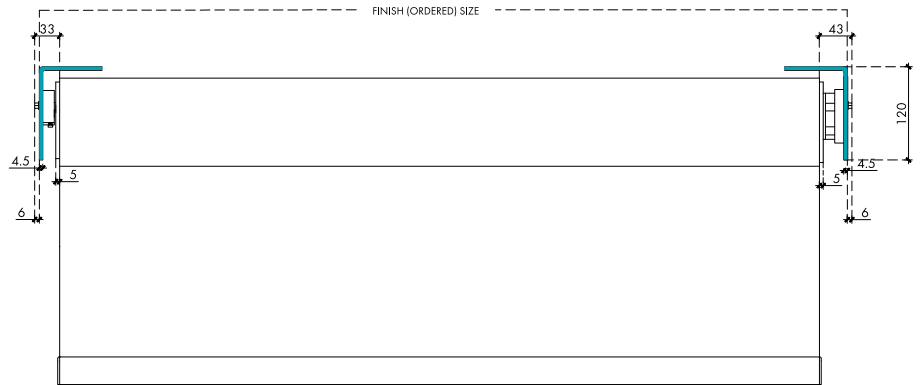
Width:	6000mm
Height:	7000mm
SQM:	30m <sup>2</sup>

## OPERATION OPTIONS: MOTORISED

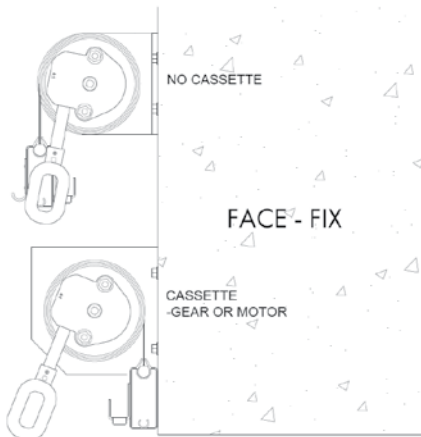
Awning Gear: Not available

## SOMFY MOTORS

Refer to Pricelist

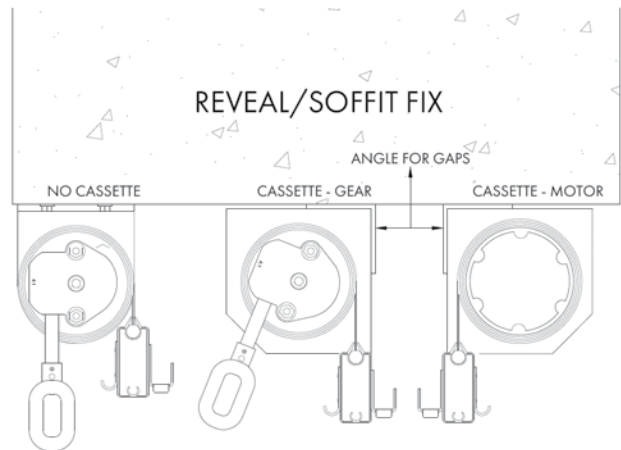


## FACE-FIX

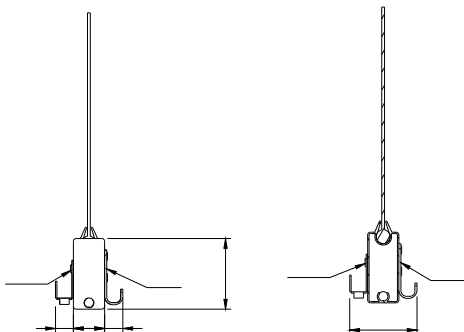


## REVEAL / SOFFIT FIX

Angle for gaps needs to be specified on order (additional charges apply). Consult pricelist for recommended angle for screen model ordered

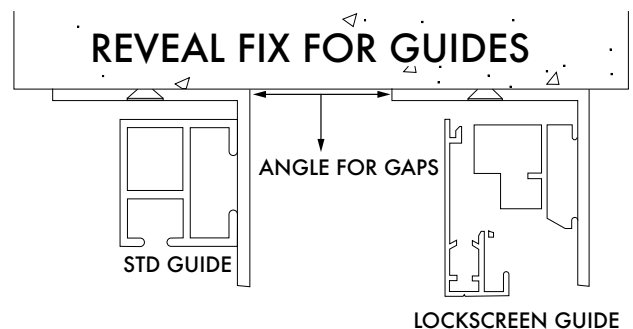


## TIE DOWN DETAIL



## REVEAL FIX DETAIL FOR GUIDES

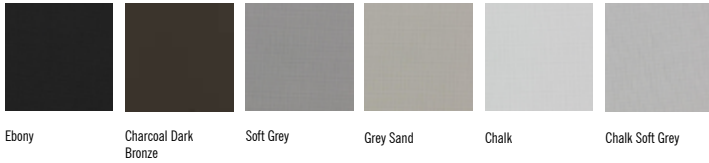
Angle for gaps needs to be specified on order (additional charges apply). Consult pricelist for recommended angle for guide type



# COLOUR CHART

## EXTERNAL INSTALLATION ONLY

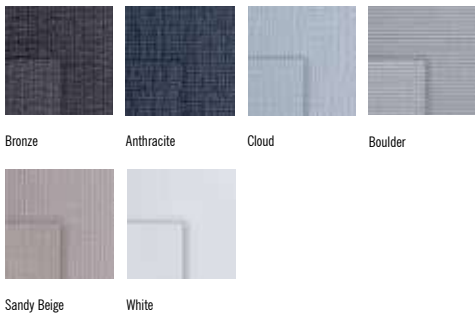
### C-SCREEN 4005 COLOURS



### SOLTIS 86 COLOURS



### SOLTIS 92 COLOURS



### SUNWORKER COLOURS

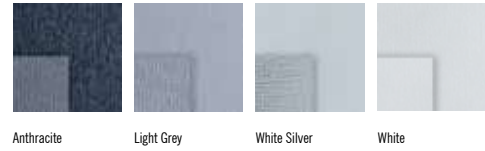


### CANVAS COLOURS

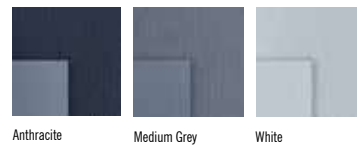


## INTERNAL INSTALLATION ONLY

### SOLTIS 99 COLOURS



### SOLTIS B99 COLOURS



### ALUMINIUM BRACKET STANDARD COLOURS



### DELIVERY LEAD TIMES

1 – Standard colours on shelf **8 WORKING DAYS** excluding transport to customer.

2 – Standard colours but not on shelf **15 WORKING DAYS**, no surcharge excluding transport to customer.

3 – Non-standard colours, not on shelf: on request and at surcharge. Large Volume Contract Orders to be time determined based on contract and product requirement.

### ADDITIONAL COMPONENT COLOURS

Items listed may have limited colours available. Please contact us should you have any queries.

# QUALITY. INNOVATION. TRUST.

## WHO ARE WE?

For 60 years Taylor has been synonymous with providing service excellence and innovative, elegant, quality products. Be it stylish aluminium or wood-substitute shutters, contemporary security gates, the streamlined simplicity of venetian, vertical, roller or woven blinds. Taylor has the perfect solution for your home or office.

Taylor innovation is savvy – merging design and functionality to provide stylish, sleek and practical window and door covering custom-made solutions.

## WHY WE'RE DIFFERENT?

We know everyone has unique tastes so we work alongside home owners, designers and architects to provide Taylor-made-to-measure, locally manufactured, top quality products that are delivered and installed within our committed time frame to you.

We pride ourselves on our quality and service and offer a warranty on all products manufactured in our factory, that they will be free from defects in material and workmanship, for a set period ranging from 2 to 10 years from date of delivery. This warranty is given subject to certain conditions.

## QUICK TURNAROUND

We have an 8000m<sup>2</sup> purpose-built factory and are able to manufacture within a maximum of two weeks from signed off order\*. Our service ethic includes the highest quality control, which is why we confidently offer 2- to 10-year warranties, depending on the product.

## SECURITY WITH STYLE

Security shouldn't come at the expense of style. ShutterGuard® Aluminium Shutters are stylish, rustproof and perhaps, more importantly, through innovative construction, they also provide high-end security when closed. So you'll have complete peace of mind when away from home. Think of it as an haute couture suit of armour.

\*Excluding delivery, which requires 5 working days.



### OFFICES & SHOWROOMS | 0861-1-TAYLOR (829567)

CPT: 10 Hoist Avenue, Montague Gardens | +27 (0) 21 552-5080 | [sales@taylorblinds.co.za](mailto:sales@taylorblinds.co.za)  
JHB: 83 Voorraadskip St, Honeydew Ext 20 | +27 (0) 11 794-1743 | [salesjhb@taylorblinds.co.za](mailto:salesjhb@taylorblinds.co.za)

[www.taylorblinds.co.za](http://www.taylorblinds.co.za)